

Архангельск (8182)63-90-72
 Астана (7172)727-132
 Астрахань (8512)99-46-04
 Барнаул (3852)73-04-60
 Белгород (4722)40-23-64
 Брянск (4832)59-03-52
 Владивосток (423)249-28-31
 Волгоград (844)278-03-48
 Вологда (8172)26-41-59
 Воронеж (473)204-51-73
 Екатеринбург (343)384-55-89
 Иваново (4932)77-34-06

Ижевск (3412)26-03-58
 Иркутск (395)279-98-46
 Казань (843)206-01-48
 Калининград (4012)72-03-81
 Калуга (4842)92-23-67
 Кемерово (3842)65-04-62
 Киров (8332)68-02-04
 Краснодар (861)203-40-90
 Красноярск (391)204-63-61
 Курск (4712)77-13-04
 Липецк (4742)52-20-81

Магнитогорск (3519)55-03-13
 Москва (495)268-04-70
 Мурманск (8152)59-64-93
 Набережные Челны (8552)20-53-41
 Нижний Новгород (831)429-08-12
 Новокузнецк (3843)20-46-81
 Новосибирск (383)227-86-73
 Омск (3812)21-46-40
 Орел (4862)44-53-42
 Оренбург (3532)37-68-04
 Пенза (8412)22-31-16

Пермь (342)205-81-47
 Ростов-на-Дону (863)308-18-15
 Рязань (4912)46-61-64
 Самара (846)206-03-16
 Санкт-Петербург (812)309-46-40
 Саратов (845)249-38-78
 Севастополь (8692)22-31-93
 Симферополь (3652)67-13-56
 Смоленск (4812)29-41-54
 Сочи (862)225-72-31
 Ставрополь (8652)20-65-13

Сургут (3462)77-98-35
 Тверь (4822)63-31-35
 Томск (3822)98-41-53
 Тула (4872)74-02-29
 Тюмень (3452)66-21-18
 Ульяновск (8422)24-23-59
 Уфа (347)229-48-12
 Хабаровск (4212)92-98-04
 Челябинск (351)202-03-61
 Череповец (8202)49-02-64
 Ярославль (4852)69-52-93

Киргизия (996)312-96-26-47

Россия (495)268-04-70

Казахстан (772)734-952-31

<https://reliant.nt-rt.ru/> || rtw@nt-rt.ru

RFPW300 Low-flow Paddle Wheel Flowmeter

- ▶ For very low flow measuring
- ▶ Compact design for limited mounting space
- ▶ One moving part only
- ▶ Stainless steel construction
- ▶ High turndown ratio
- ▶ High pressure



RFPW300 is designed special for measuring very low liquid flow which is not measurable with a regular flow meter. Flow rate could be as low as 10mLPM. High repeatability and quick response time. Pressure is up to 400 BAR (5,800 psi) for regular model while higher operating pressure could be achieved by using an adaptor.

Specifications

Nominal Diameter	≤DN15
Applicable Medium	Liquid
Accuracy	≤±0.5% of reading
Linearity	≤±0.1%
Repeatability	≤±0.1% of reading
Pressure Rating	100bar, 200bar, MAX.400bar
Pressure Drop	≤700mbar (at max. flow rate)
Power Supply	10 to 25Vdc
Current Consumption	≤20mA
Output	PNP / NPN pulse, 3-wire 4 to 20mA
Wiring Protection	Reverse polarity, short-circuit
Ambient Temperature	-40 to 85°C
Medium Temperature	-50°C to 177°C
Protection Class	IP65
Materials	
Sensor Housing/Body	304/316 stainless steel

Rotor	CD4MCu stainless steel
Shaft/Bearings	Tungsten steel
Electrical Connection	M12x1plug / solenoid plug
End Connection	Threads
Measuring Range	See technical data for details

Applications

- ▶ Petrochemical/energy industry
- ▶ Hydraulics/lubrication system
- ▶ Oil and Gas
- ▶ Food and pharmaceutical industry
- ▶ Leak monitoring

Wiring 1 - Pulse Output

Wiring	PNP output	NPN output												
<p>M12 Plug</p> <table border="1"> <thead> <tr> <th></th> <th>Plug</th> <th>Cable</th> </tr> </thead> <tbody> <tr> <td>U+</td> <td>1</td> <td>Brown</td> </tr> <tr> <td>Pulse</td> <td>4</td> <td>Black</td> </tr> <tr> <td>U-</td> <td>3</td> <td>Blue</td> </tr> </tbody> </table>		Plug	Cable	U+	1	Brown	Pulse	4	Black	U-	3	Blue		
	Plug	Cable												
U+	1	Brown												
Pulse	4	Black												
U-	3	Blue												
<p>Solenoid Plug</p> <table border="1"> <thead> <tr> <th></th> <th>Plug</th> </tr> </thead> <tbody> <tr> <td>U+</td> <td>1</td> </tr> <tr> <td>Pulse</td> <td>3</td> </tr> <tr> <td>U-</td> <td>2</td> </tr> </tbody> </table>		Plug	U+	1	Pulse	3	U-	2						
	Plug													
U+	1													
Pulse	3													
U-	2													

Wiring 2 - Analog Output

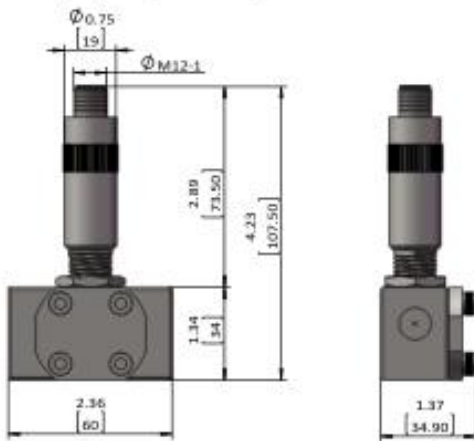
Wiring	3-wire analog Output												
<p>M12 Plug</p> <table border="1"> <thead> <tr> <th></th> <th>Plug</th> <th>Cable</th> </tr> </thead> <tbody> <tr> <td>U+</td> <td>1</td> <td>Brown</td> </tr> <tr> <td>Pulse</td> <td>2</td> <td>White</td> </tr> <tr> <td>U-</td> <td>3</td> <td>Blue</td> </tr> </tbody> </table>		Plug	Cable	U+	1	Brown	Pulse	2	White	U-	3	Blue	
	Plug	Cable											
U+	1	Brown											
Pulse	2	White											
U-	3	Blue											
<p>Solenoid Plug</p> <table border="1"> <thead> <tr> <th></th> <th>Plug</th> </tr> </thead> <tbody> <tr> <td>U+</td> <td>1</td> </tr> <tr> <td>Pulse</td> <td>3</td> </tr> <tr> <td>U-</td> <td>2</td> </tr> </tbody> </table>		Plug	U+	1	Pulse	3	U-	2					
	Plug												
U+	1												
Pulse	3												
U-	2												

Standard Flow Range (10:1)

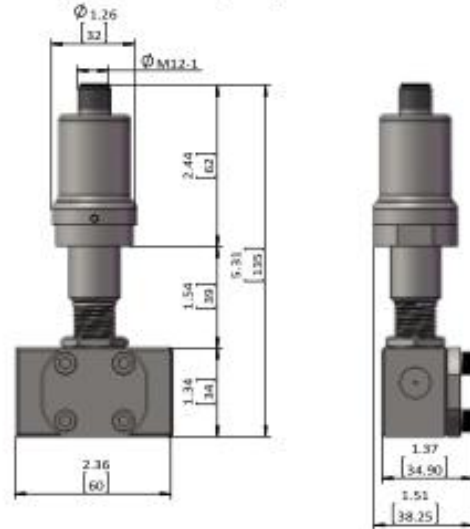
Serial No.	FTB100-1	FTB100-2	FTB100-3	FTB100-4	FTB100-5
Min. Flow Rate (LPM)	0.01	0.03	0.1	0.3	0.55
Max. Flow Rate (LPM)	0.1	0.3	1	3	5.5

Dimensions

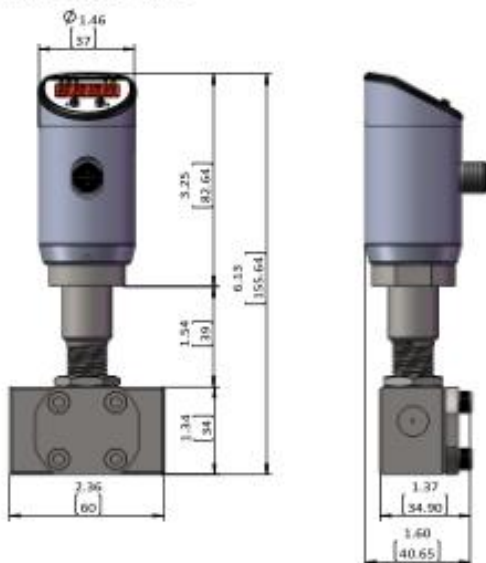
M12X1 plug for pulse output



M12X1 plug for analog output



Smart control unit



RFPW300 Low-flow Paddle Wheel Flowmeter

Oct. 2019, Rev. RPW1-1.0

Doc. ID: RNT201911102



Order Code

								RFPW :	Paddlewheel flow meter
								300 :	Serial Number – low-flow
								-1 :	Serial No. 1
								-2 :	Serial No. 2
								-3 :	Serial No. 3
								-4 :	Serial No. 4
								-5 :	Serial No. 5
								N :	1 / 2NPT thread connection
								G :	G1 / 2 thread connection

RFPW	300	-1	G	P	H	S	0.1L
------	-----	----	---	---	---	---	------

P :	Pulse output
A :	4 to 20mA analog output
S :	M12×1 plug
H :	Solenoid plug
S :	Stainless steel body

Measuring Range: (see technical data for details)
e.g. 0.1L : 0.01...0.1LPM

Архангельск (8182)63-90-72
Астана (7172)727-132
Астрахань (8512)99-46-04
Барнаул (3852)73-04-60
Белгород (4722)40-23-64
Брянск (4832)59-03-52
Владивосток (423)249-28-31
Волгоград (844)278-03-48
Вологда (8172)26-41-59
Воронеж (473)204-51-73
Екатеринбург (343)384-55-89
Иваново (4932)77-34-06

Ижевск (3412)26-03-58
Иркутск (395)279-98-46
Казань (843)206-01-48
Калининград (4012)72-03-81
Калуга (4842)92-23-67
Кемерово (3842)65-04-62
Киров (8332)68-02-04
Краснодар (861)203-40-90
Красноярск (391)204-63-61
Курск (4712)77-13-04
Липецк (4742)52-20-81

Магнитогорск (3519)55-03-13
Москва (495)268-04-70
Мурманск (8152)59-64-93
Набережные Челны (8552)20-53-41
Нижний Новгород (831)429-08-12
Новокузнецк (3843)20-46-81
Новосибирск (383)227-86-73
Омск (3812)21-46-40
Орел (4862)44-53-42
Оренбург (3532)37-68-04
Пенза (8412)22-31-16

Пермь (342)205-81-47
Ростов-на-Дону (863)308-18-15
Рязань (4912)46-61-64
Самара (846)206-03-16
Санкт-Петербург (812)309-46-40
Саратов (845)249-38-78
Севастополь (8692)22-31-93
Симферополь (3652)67-13-56
Смоленск (4812)29-41-54
Сочи (862)225-72-31
Ставрополь (8652)20-65-13

Сургут (3462)77-98-35
Тверь (4822)63-31-35
Томск (3822)98-41-53
Тула (4872)74-02-29
Тюмень (3452)66-21-18
Ульяновск (8422)24-23-59
Уфа (347)229-48-12
Хабаровск (4212)92-98-04
Челябинск (351)202-03-61
Череповец (8202)49-02-64
Ярославль (4852)69-52-93

Киргизия (996)312-96-26-47

Россия (495)268-04-70

Казахстан (772)734-952-31

<https://reliant.nt-rt.ru/> || rtw@nt-rt.ru