

## RPMS110 Mechanical Pressure Switch

- ▶ High pressure rating up to 80bar
- ▶ Setting range from 0.5 to 2barG or 2 to 20barG
- ▶ High repeatability
- ▶ Anodized aluminum housing
- ▶ Contact capacity up to 250VAC, 0.6A
- ▶ Compact design
- ▶ Applicable to liquid and gas
- ▶ SPDT output (SPDT NC+NO)



RPMS110 equips with a thin film sensing component for measuring of gas or liquid pressure.

### Specifications

<b>Applicable Medium</b>	Gas and liquid
<b>Pressure Span</b>	See technical data for details
<b>Repeatability</b>	≤±3% (depends on measuring span)
<b>Output</b>	Gold plated contact microswitch SPDT(NC+NO)
<b>Switching Capacity</b>	
<b>Max.</b>	250VAC, 3A
Without Output Indicator	30VDC, 2A
With Output Indicator	24 to 250V, 0.6A
<b>Adjusting By</b>	Inner hexagonal screw
<b>Switching Frequency</b>	MAX.100 times/minute
<b>Ambient Temperature</b>	-20 to 85°C
<b>Medium Temperature</b>	-20 to 80°C
<b>Material</b>	
Housing	Anodized aluminum
Wetted Parts	NBR, Aluminum optional
Process Connection	Aluminum/steel/stainless steel optional
<b>Electrical Connection</b>	Solenoid plug

Архангельск (8182)63-90-72  
Астана (7172)727-132  
Астрахань (8512)99-46-04  
Барнаул (3852)73-04-60  
Белгород (4722)40-23-64  
Брянск (4832)59-03-52  
Владивосток (423)249-28-31  
Волгоград (844)278-03-48  
Вологда (8172)26-41-59  
Воронеж (473)204-51-73  
Екатеринбург (343)384-55-89  
Иваново (4932)77-34-06

Ижевск (3412)26-03-58  
Иркутск (395)279-98-46  
Казань (843)206-01-48  
Калининград (4012)72-03-81  
Калуга (4842)92-23-67  
Кемерово (3842)65-04-62  
Киров (8332)68-02-04  
Краснодар (861)203-40-90  
Красноярск (391)204-63-61  
Курск (4712)77-13-04  
Липецк (4742)52-20-81

Магнитогорск (3519)55-03-13  
Москва (495)268-04-70  
Мурманск (8152)59-64-93  
Набережные Челны (8552)20-53-41  
Нижний Новгород (831)429-08-12  
Новокузнецк (3843)20-46-81  
Новосибирск (383)227-86-73  
Омск (3812)21-46-40  
Орел (4862)44-53-42  
Оренбург (3532)37-68-04  
Пенза (8412)22-31-16

Пермь (342)205-81-47  
Ростов-на-Дону (863)308-18-15  
Рязань (4912)46-61-64  
Самара (846)206-03-16  
Санкт-Петербург (812)309-46-40  
Саратов (845)249-38-78  
Севастополь (8692)22-31-93  
Симферополь (3652)67-13-56  
Смоленск (4812)29-41-54  
Сочи (862)225-72-31  
Ставрополь (8652)20-65-13

Сургут (3462)77-98-35  
Тверь (4822)63-31-35  
Томск (3822)98-41-53  
Тула (4872)74-02-29  
Тюмень (3452)66-21-18  
Ульяновск (8422)24-23-59  
Уфа (347)229-48-12  
Хабаровск (4212)92-98-04  
Челябинск (351)202-03-61  
Череповец (8202)49-02-64  
Ярославль (4852)69-52-93

Киргизия (996)312-96-26-47

Россия (495)268-04-70

Казахстан (772)734-952-31

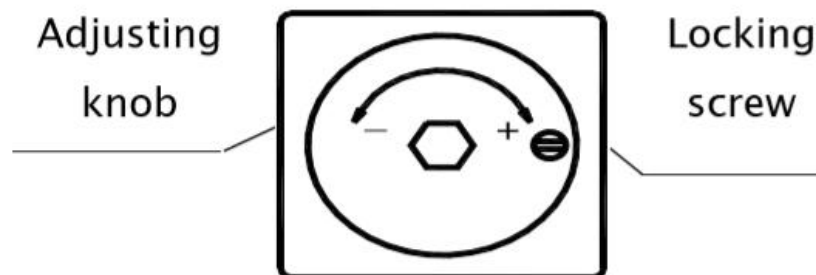
## Applications

- ▶ Machine tools
- ▶ Pumps and compressors
- ▶ Hydraulics and pneumatics
- ▶ Oil and Gas
- ▶ Machinery manufacturing
- ▶ Water treatment

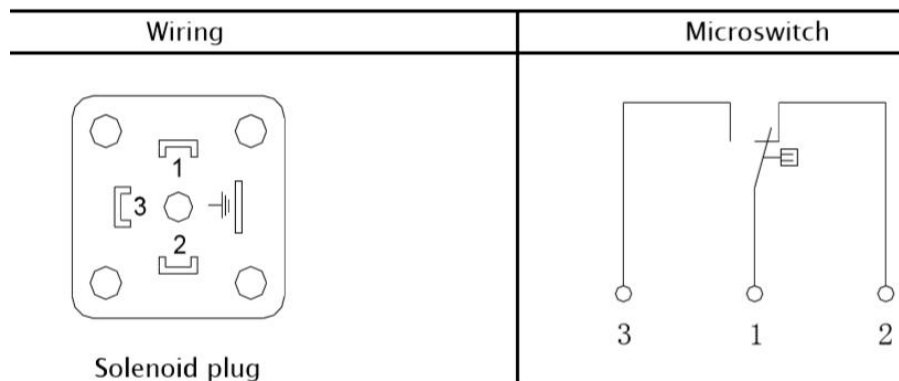
## Technical Data

Model	Measuring range bar(psi)	Max. Pressure Rating	Principle
		bar (psi)	
RPMS100-B002P	0.5 to 2(7.25 to 29)	80 (1160)	Thin Film
RPMS100-B008P	1.5 to 8 (21.75 to 116)	80 (1160)	
RPMS100-B020P	2 to 20(29 to 290)	80 (1160)	

## Panel Adjusting

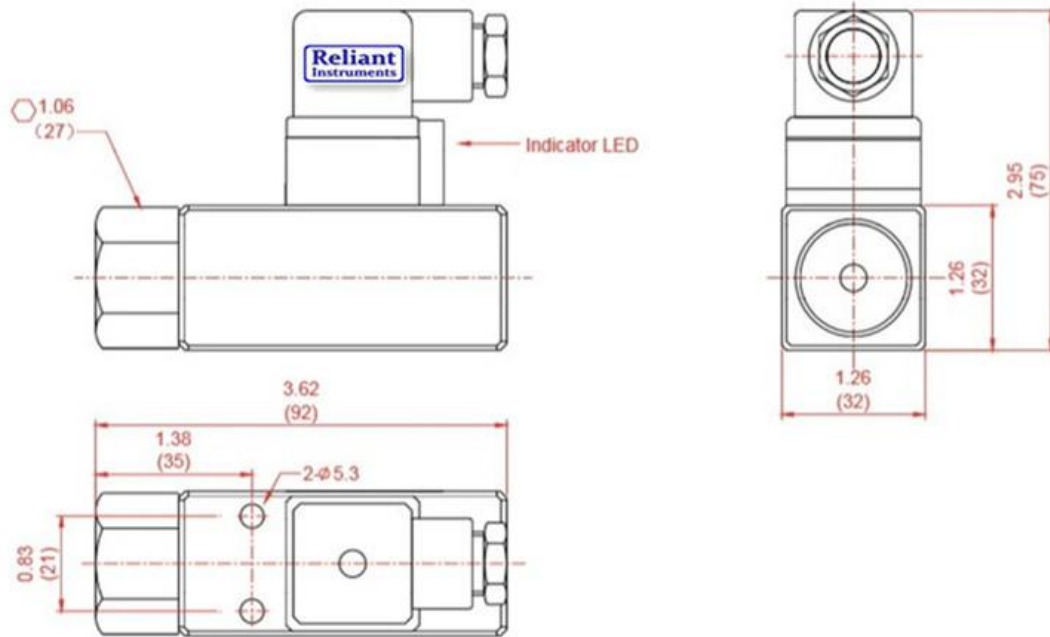


## Wiring



## Dimensions in inches (mm)

**RPMS110 Mechanical Pressure Switch**  
**Doc. ID: RNT20191030**



**Order Code**

RPMS :	Mechanical pressure switch
110 :	Series Number
Measuring span :	B002, B008, B020
P :	Positive pressure

<b>RPMS</b>	<b>110</b>	<b>B002</b>	<b>P</b>	<b>PT14</b>	<b>F</b>	<b>L</b>
-------------	------------	-------------	----------	-------------	----------	----------

<b>Process connection</b>	
PT14F :	PT1/4 female thread
<b>Housing material</b>	
A :	Anodized aluminum
<b>Signal output indicator</b>	
L :	With signal output indicator
- :	Without signal output indicator



### Warning

- Ensure the explosion-proof class marked on the nameplate to meet or exceed the required rating of the relevant installation environment.
- Ensure that the enclosure rating indicated on the nameplate to meet the requirements of the installation environment.
- Ensure that the ambient and process temperature ranges marked on the nameplates to meet the application requirements.

**Архангельск** (8182)63-90-72  
**Астана** (7172)727-132  
**Астрахань** (8512)99-46-04  
**Барнаул** (3852)73-04-60  
**Белгород** (4722)40-23-64  
**Брянск** (4832)59-03-52  
**Владивосток** (423)249-28-31  
**Волгоград** (844)278-03-48  
**Вологда** (8172)26-41-59  
**Воронеж** (473)204-51-73  
**Екатеринбург** (343)384-55-89  
**Иваново** (4932)77-34-06

**Ижевск** (3412)26-03-58  
**Иркутск** (395)279-98-46  
**Казань** (843)206-01-48  
**Калининград** (4012)72-03-81  
**Калуга** (4842)92-23-67  
**Кемерово** (3842)65-04-62  
**Киров** (8332)68-02-04  
**Краснодар** (861)203-40-90  
**Красноярск** (391)204-63-61  
**Курск** (4712)77-13-04  
**Липецк** (4742)52-20-81

**Магнитогорск** (3519)55-03-13  
**Москва** (495)268-04-70  
**Мурманск** (8152)59-64-93  
**Набережные Челны** (8552)20-53-41  
**Нижний Новгород** (831)429-08-12  
**Новокузнецк** (3843)20-46-81  
**Новосибирск** (383)227-86-73  
**Омск** (3812)21-46-40  
**Орел** (4862)44-53-42  
**Оренбург** (3532)37-68-04  
**Пенза** (8412)22-31-16

**Пермь** (342)205-81-47  
**Ростов-на-Дону** (863)308-18-15  
**Рязань** (4912)46-61-64  
**Самара** (846)206-03-16  
**Санкт-Петербург** (812)309-46-40  
**Саратов** (845)249-38-78  
**Севастополь** (8692)22-31-93  
**Симферополь** (3652)67-13-56  
**Смоленск** (4812)29-41-54  
**Сочи** (862)225-72-31  
**Ставрополь** (8652)20-65-13

**Сургут** (3462)77-98-35  
**Тверь** (4822)63-31-35  
**Томск** (3822)98-41-53  
**Тула** (4872)74-02-29  
**Тюмень** (3452)66-21-18  
**Ульяновск** (8422)24-23-59  
**Уфа** (347)229-48-12  
**Хабаровск** (4212)92-98-04  
**Челябинск** (351)202-03-61  
**Череповец** (8202)49-02-64  
**Ярославль** (4852)69-52-93

**Киргизия** (996)312-96-26-47

**Россия** (495)268-04-70

**Казахстан** (772)734-952-31

<https://reliant.nt-rt.ru/> || [rtw@nt-rt.ru](mailto:rtw@nt-rt.ru)