

RPMS100 Mechanical Pressure Switch

- ▶ High pressure rating
- ▶ High pressure rating up to 250bar
- ▶ Setting range from 0 to 2barG or 40 to 250barG
- ▶ High repeatability
- ▶ Metal housing
- ▶ Contact capacity up to 250VAC, 3A
- ▶ Compact design
- ▶ Applicable to liquid and gas
- ▶ SPDT output (SPDT NC+NO)



RPMS100 equips with a thin film (for low pressure) or piston (for high pressure) sensor component for measurement of gas or liquid pressure.

Specifications

Applicable Medium	Gas and liquid
Pressure Span	For details please see technical data
Repeatability	≤±3% (depends on measuring span)
Output	Gold plated contact microswitch PDT(NC+NO)
Switching Capacity	
Without Output Indicator	30VDC, 2A 250VAC, 3A
With Output Indicator	24 to 250V, 0.6A
Adjusting By	Inner hexagonal screw
Switching Frequency	MAX.100 times/minute
Ambient Temperature	-20 to 85°C
Medium Temperature	-20 to 80°C
Material	
Housing	Steel
Wetted Parts	NBR, Aluminum/steel/stainless steel optional
Process Connection	Steel/stainless steel optional
Electrical Connection	Solenoid plug

Архангельск (8182)63-90-72
Астана (7172)727-132
Астрахань (8512)99-46-04
Барнаул (3852)73-04-60
Белгород (4722)40-23-64
Брянск (4832)59-03-52
Владивосток (423)249-28-31
Волгоград (844)278-03-48
Вологда (8172)26-41-59
Воронеж (473)204-51-73
Екатеринбург (343)384-55-89
Иваново (4932)77-34-06

Ижевск (3412)26-03-58
Иркутск (395)279-98-46
Казань (843)206-01-48
Калининград (4012)72-03-81
Калуга (4842)92-23-67
Кемерово (3842)65-04-62
Киров (8332)68-02-04
Краснодар (861)203-40-90
Красноярск (391)204-63-61
Курск (4712)77-13-04
Липецк (4742)52-20-81

Магнитогорск (3519)55-03-13
Москва (495)268-04-70
Мурманск (8152)59-64-93
Набережные Челны (8552)20-53-41
Нижний Новгород (831)429-08-12
Новокузнецк (3843)20-46-81
Новосибирск (383)227-86-73
Омск (3812)21-46-40
Орел (4862)44-53-42
Оренбург (3532)37-68-04
Пенза (8412)22-31-16

Пермь (342)205-81-47
Ростов-на-Дону (863)308-18-15
Рязань (4912)46-61-64
Самара (846)206-03-16
Санкт-Петербург (812)309-46-40
Саратов (845)249-38-78
Севастополь (8692)22-31-93
Симферополь (3652)67-13-56
Смоленск (4812)29-41-54
Сочи (862)225-72-31
Ставрополь (8652)20-65-13

Сургут (3462)77-98-35
Тверь (4822)63-31-35
Томск (3822)98-41-53
Тула (4872)74-02-29
Тюмень (3452)66-21-18
Ульяновск (8422)24-23-59
Уфа (347)229-48-12
Хабаровск (4212)92-98-04
Челябинск (351)202-03-61
Череповец (8202)49-02-64
Ярославль (4852)69-52-93

Киргизия (996)312-96-26-47

Россия (495)268-04-70

Казахстан (772)734-952-31

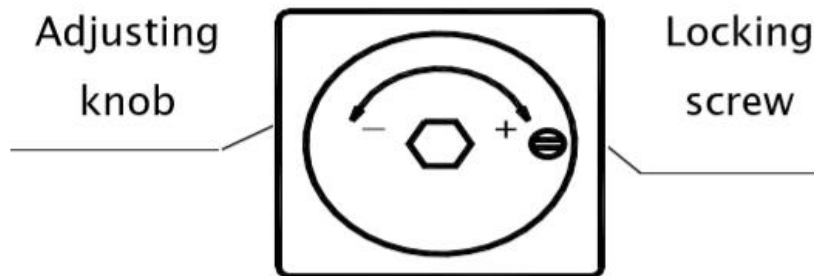
Applications

- ▶ Machine tools
- ▶ Pumps and compressors
- ▶ Hydraulics and pneumatics
- ▶ Oil and Gas
- ▶ Machinery manufacturing
- ▶ Water treatment

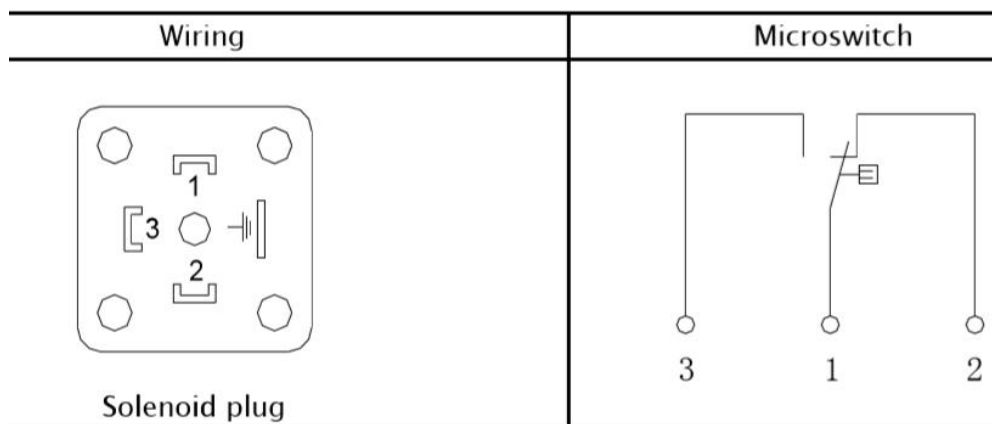
Technical Data

Model	Measuring Range bar(psi)	Max. Pressure Rating	Working Principle
		bar (psi)	
RPMS100-B040P	6 to 40 (87 to 580)	150 (2175)	Piston
RPMS100-B070P	10 to 70 (145 to 1015)	150 (2175)	
RPMS100-B150P	20 to 150 (29 to 2175)	250 (3625)	
RPMS100-B250P	40 to 250 (87 to 3625)	250 (3625)	

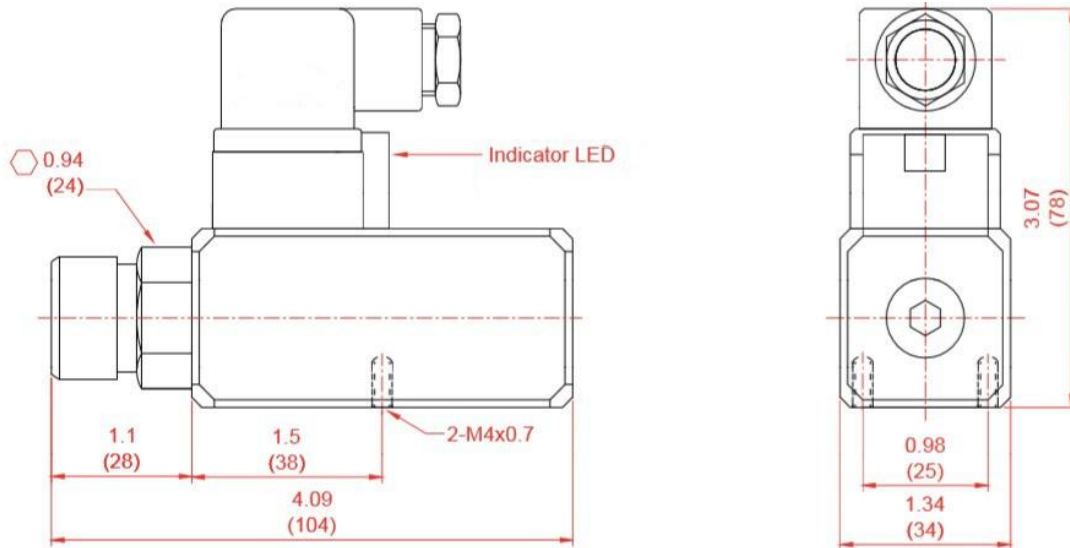
Panel Adjusting



Wiring



Dimensions in inches (mm)



Order Code

RPMS:	Mechanical pressure switch
100:	Series Number
Measuring span:	B040, B070, B150, B250
P:	Positive pressure

RPMS	100	B040	P	PT14	F	L
-------------	------------	-------------	----------	-------------	----------	----------

Process connection	
PT14F :	PT1 /4 female thread
Housing material	
K:	Steel
Signal output indicator	
L:	With signal output indicator
-:	Without signal output indicator



Warning

- Ensure the explosion-proof class marked on the nameplate to meet or exceed the required rating of the relevant installation environment.
- Ensure that the enclosure rating indicated on the nameplate to meet the requirements of the installation environment.
- Ensure that the ambient and process temperature ranges marked on the nameplates to meet the application requirements.

Архангельск (8182)63-90-72
Астана (7172)727-132
Астрахань (8512)99-46-04
Барнаул (3852)73-04-60
Белгород (4722)40-23-64
Брянск (4832)59-03-52
Владивосток (423)249-28-31
Волгоград (844)278-03-48
Вологда (8172)26-41-59
Воронеж (473)204-51-73
Екатеринбург (343)384-55-89
Иваново (4932)77-34-06

Ижевск (3412)26-03-58
Иркутск (395)279-98-46
Казань (843)206-01-48
Калининград (4012)72-03-81
Калуга (4842)92-23-67
Кемерово (3842)65-04-62
Киров (8332)68-02-04
Краснодар (861)203-40-90
Красноярск (391)204-63-61
Курск (4712)77-13-04
Липецк (4742)52-20-81

Магнитогорск (3519)55-03-13
Москва (495)268-04-70
Мурманск (8152)59-64-93
Набережные Челны (8552)20-53-41
Нижний Новгород (831)429-08-12
Новокузнецк (3843)20-46-81
Новосибирск (383)227-86-73
Омск (3812)21-46-40
Орел (4862)44-53-42
Оренбург (3532)37-68-04
Пенза (8412)22-31-16

Пермь (342)205-81-47
Ростов-на-Дону (863)308-18-15
Рязань (4912)46-61-64
Самара (846)206-03-16
Санкт-Петербург (812)309-46-40
Саратов (845)249-38-78
Севастополь (8692)22-31-93
Симферополь (3652)67-13-56
Смоленск (4812)29-41-54
Сочи (862)225-72-31
Ставрополь (8652)20-65-13

Сургут (3462)77-98-35
Тверь (4822)63-31-35
Томск (3822)98-41-53
Тула (4872)74-02-29
Тюмень (3452)66-21-18
Ульяновск (8422)24-23-59
Уфа (347)229-48-12
Хабаровск (4212)92-98-04
Челябинск (351)202-03-61
Череповец (8202)49-02-64
Ярославль (4852)69-52-93

Киргизия (996)312-96-26-47

Россия (495)268-04-70

Казахстан (772)734-952-31

<https://reliant.nt-rt.ru/> || rtw@nt-rt.ru